



Single hole lavatory faucet
EV01XX



Specifications

Descriptions

- 3/8" speedway compression
- Ceramic cartridge
- Push drain

Available flows

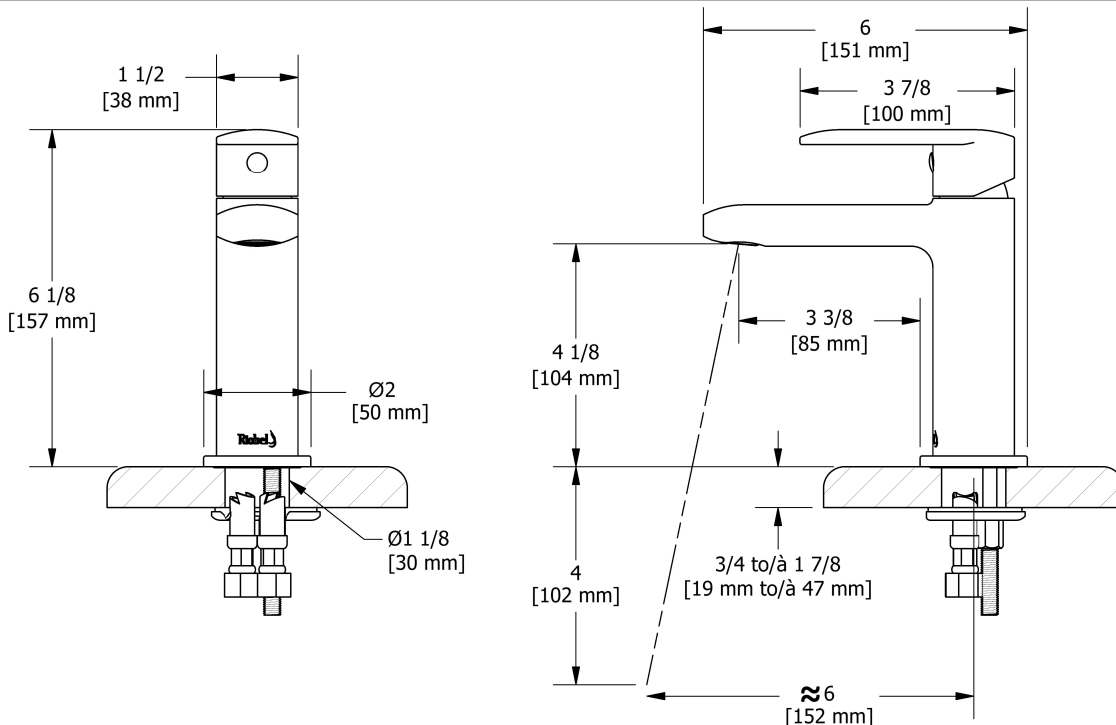
- 5.7 L/min, 1.5 gpm (US) 60psi
- 1.9 L/min, 0.5 gpm (US) 60psi (**EV01XX-05**)
- 3.7 L/min, 1 gpm (US) 60psi (**EV01XX-10**)

Cartridge

- 401-121

Certifications

- CSA B125.1
- NSF/ANSI standard 61 and 372
- ASME A112.18.1
- CMR248 Approval
- ADA



Sizes, models and finishes may differ from those presented.

Warranty

This **Riobel PRO**, product you have purchased carries a Limited LIFETIME warranty on their cartridge. All working parts and finishes are guaranteed for a period of five (5) years from the initial purchase date against all manufacturing defects. All electric and/or electronic parts are covered by a 5-years limited warranty. The warranty offered on our products will be honored only if the installation is performed by a certified master plumber.

Customer Service

Ontario, West Canada : 888-287-5354 Quebec, Maritimes, United States : 866-473-8442