

**TOWNSEND® VORMAX® RIGHT HEIGHT®
ELONGATED ONE-PIECE TOILET WITH SEAT**

2922A104

- VorMax flushing technology cleans two times better than conventional toilets**
- 12" (305 mm) rough-in
- Right Height elongated siphon action bowl
- High efficiency, ultra-low consumption (1.28 gpf/4.8 Lpf), utilizes 20% less water
- Meets EPA WaterSense® criteria
- EverClean® Antimicrobial Surface
- CleanCurve™ rim eliminates rim area where dirt and build-up hide
- 16-1/2" (419 mm) rim height for accessible applications
- 2-1/16" (52 mm) trapway
- Dual injection flush valves
- Includes slow-close seat and cover
- Includes EZ-Install Tools
- Two colour-matched bolt caps
- 10-year warranty
- **Design coordinates with Townsend suite of fixtures and faucets**
- Best 1,000g MaP flush score †



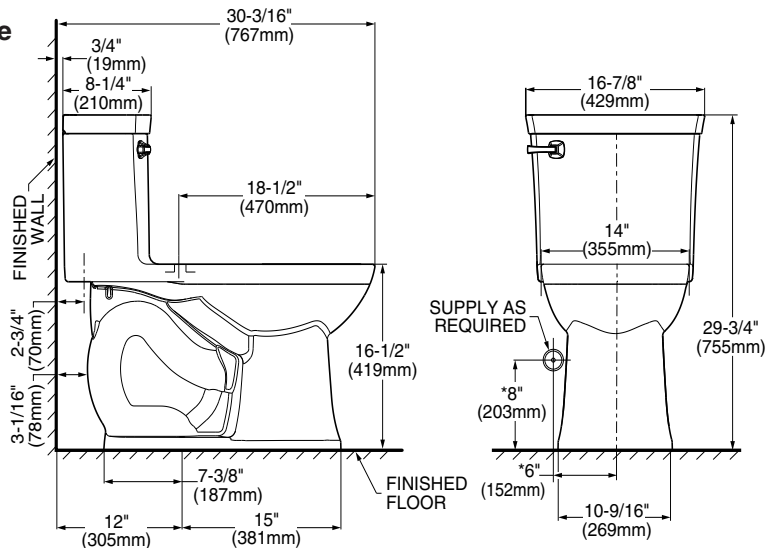
Nominal Dimensions:

767 x 429 x 755mm
(30-3/16" x 16-7/8" x 29-3/4")

Fixture only, supply by others

**Compliance Certifications -
Meets or Exceeds the Following
Specifications:**

- ASME A112.19.2 / CSA B45.1
- US EPA WaterSense® Specification for HETs



To Be Specified:

- Colour: White
- Supply with Stop:



MEETS THE AMERICANS WITH DISABILITIES ACT GUIDELINES AND ICC ANSI A117.1 REQUIREMENTS FOR ACCESSIBLE AND USABLE BUILDING FACILITIES-CHECK LOCAL CODES.

NOTES:

THIS TOILET IS DESIGNED TO ROUGH-IN AT A MINIMUM DIMENSION OF 305MM (12") FROM FINISHED WALL TO C/L OF OUTLET. SUPPLY NOT INCLUDED WITH FIXTURE AND MUST BE ORDERED SEPARATELY. * DIMENSION SHOWN FOR LOCATION OF SUPPLY IS SUGGESTED.

IMPORTANT: Dimensions of fixtures are nominal and may vary within the range of tolerance established by ANSI Standard A112.19.2. These measurements are subject to change or cancellation. No responsibility is assumed for use of superseded or voided pages.



**Source: IAPMO R&T Labs Test Report No. 109-141486-002, comparing VorMax against conventional under-the-rim-water-dispersal toilets from major retailers.

†MaP testing performed by IAPMO R&T Lab. MaP report conducted by Gauley Associates Ltd. and Koeller and Company.